

Submittal WHP12WMA21S

12,000 BTU Wall Mount

Job Name _____	Date _____
Location _____	Approval _____
Engineer _____	Construction _____
Submitted To _____	Unit No _____
Submitted By _____	Drawing No _____
Reference _____	

FEATURES

- Auto restart
- Quiet mode
- °C & °F convertible
- 24 Hour Timer
- Horizontal Auto Swing Louver



SYSTEM COMPONENTS

Indoor Unit Model Number	WHP12WMA21S
Nominal Capacity	12,000

INDOOR TEMPERATURE SETTING RANGE

Cooling, - °F (°C)	61°F to 86°F (16°C to 30°C)
Heating, - °F (°C)	61°F to 86°F (16°C to 30°C)

LINESET REQUIREMENTS

Connection Pipe Diameter - Liquid (Flare) - in (mm)	1/4 (6.35)
Connection Pipe Diameter - Gas (Flare) - in (mm)	3/8 (9.52)

WARRANTY



7 Year Compressor, 5 Year Parts Warranty

NET DIMENSIONS & WEIGHTS

Indoor Unit Net Dimensions (W x H x D) - in	33 7/16 x 10 10/16 x 8 7/16
Indoor Unit Net Dimensions (W x H x D) - mm	850 x 270 x 215
Indoor Unit Gross Dimensions (W x H x D) - in	37 x 13 3/16 x 10 7/16
Indoor Unit Gross Dimensions (W x H x D) - mm	940 x 335 x 265
Indoor Unit - Net Weight - lbs (kg)	20 (9)
Indoor Unit - Gross Weight - lbs (kg)	26 (12)

SOUND PRESSURE

Sound Pressure Level Indoor (S/H/M/L/Q) - dB(A)	42/39/32/29/26
---	----------------

FAN DATA

Indoor Airflow Rate (S/H/M/L/Q) - CFM	394/365/312/253/224
Indoor Airflow Rate (S/H/M/L/Q) - m³/h	670/620/530/430/380

Note: Specifications are based on the following conditions:
Cooling: Indoor temperature of 80°F (26.7°C) DB/67°F (19.4°C) WB, and outdoor temperature of 95°F (35°C) DB/75°F (23.9°C) WB.
Heating: Indoor temperature of 70°F (21.1°C) DB/60°F (15.6°C) WB, and outdoor temperature of 47°F (8.3°C) DB/43°F (6.1°C) WB.
Pipe length: 25ft. (7.5m), Height difference: 0ft. (0m) (Outdoor unit – Indoor unit).

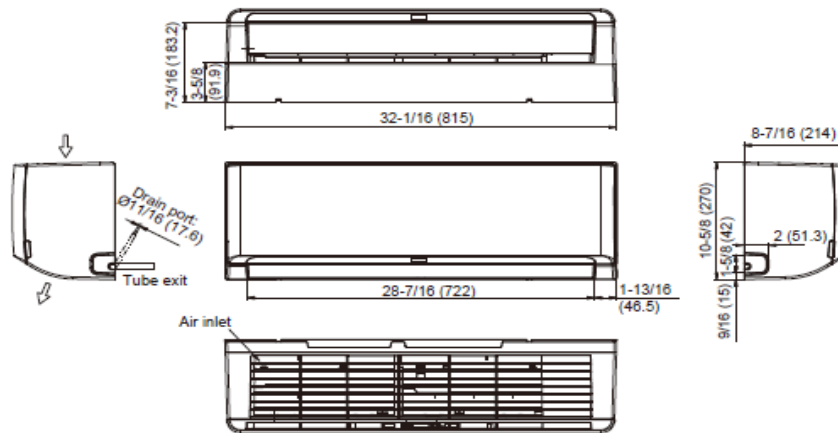


Submittal WHP12WMA21S

12,000 BTU Wall Mount

DIMENSIONS

Unit: In. (mm)



 and WESTINGHOUSE are trademarks of Westinghouse Electric Corporation. All Rights Reserved.