

## Submittal S36SZA2

### 36,000 BTU Wall Mount Heat Pump Ductless System

**Job Name** \_\_\_\_\_  
**Location** \_\_\_\_\_  
**Engineer** \_\_\_\_\_  
**Submitted To** \_\_\_\_\_  
**Submitted By** \_\_\_\_\_  
**Reference** \_\_\_\_\_

**Date** \_\_\_\_\_  
**Approval** \_\_\_\_\_  
**Construction** \_\_\_\_\_  
**Unit No** \_\_\_\_\_  
**Drawing No** \_\_\_\_\_

**FEATURES**

- Heating down to -4°F (-20°C)
- Base Pan Heater
- Washable Filter
- Auto restart
- Quiet mode
- Min Heat 46°F
- °C & °F convertible
- 24 Hour Timer
- Horizontal Auto Swing Louver
- Compressor Pre-Heating


**SYSTEM COMPONENTS**

Indoor Unit Model Number	WHS36WMA21S
Outdoor Unit Model Number	WHS36SZA21S
System model number	S36SZA2

**ELECTRICAL**

Voltage/Phase/Frequency	208 / 230V, 1-Phase, 60Hz
Voltage Range - V	198 - 253
MCA - A	30
Max Circuit Breaker - A	35
Max. Current (Cooling) - A	19
Max. Current (Heating) - A	19
Rated Current (Cooling) - A	18.5
Rated Current (Heating) - A	16
Rated Input Power (Cooling) - W	4200
Min - Max Input Power (Cooling) - W	520 - 4150
Rated Input Power (Heating) - W	3500
Min - Max Input Power (Heating) - W	520 - 4150

**CAPACITIES**

Cooling Capacity - BTU/h	35000
Cooling Capacity Range - BTU/h	12000-36000
Heating Capacity - BTU/h	35000
Heating Capacity Range - BTU/h	12000-36000

**FAN SPEEDS**

Indoor Airflow Rate (S/H/M/L/Q) - CFM	1089/853/706/589/500
Indoor Airflow Rate (S/H/M/L/Q) - m³/h	1850/1450/1200/1000/850
Outdoor Airflow Rate (H) - CFM	2354
Outdoor Airflow Rate (H) - m³/h	4000

**SOUND PRESSURE**

Sound Pressure Level Indoor (S/H/M/L/Q) - dB(A)	50/45/43/40/38
Sound Pressure Level Outdoor (H) - dB(A)	60

**LINESET REQUIREMENTS**

Connection Pipe Diameter - Liquid (Flare) - in (mm)	3/8 (9.52)
Connection Pipe Diameter - Gas (Flare) - in (mm)	5/8 (15.88)
Minimum Lineset Length - ft (m)	10 (3)
Maximum Lineset Length (Total) - ft (m)	66 (20)
Max Height Difference (IDU higher than ODU) - ft (m)	33 (10)
Max Height Difference (ODU higher than IDU) - ft (m)	16 (5)
Pre-charged Lineset Length - ft (m)	24 (7.5)

**ETL: 3088177**
**OUTDOOR TEMPERATURE OPERATING RANGE**

Cooling - °F (°C)	5°F to 115°F (-15°C to 46°C)
Heating - °F (°C)	-4°F to 75°F (-20°C to 24°C)

**INDOOR TEMPERATURE SETTING RANGE**

Cooling - °F (°C)	61°F to 86°F (16°C to 30°C)
Heating - °F (°C)	61°F to 86°F (16°C to 30°C)

Mositure Removal pints/h (L/h)	6.76 (3.2)
--------------------------------	------------

**EFFICIENCIES**

SEER	16.4
EER	8.3
HSPF	8.8
COP - BTU	10
COP. - W/W	2.95
Energy Star	No

**NET DIMENSIONS & WEIGHTS**

Indoor Unit Net Dimensions (W x H x D) - in	50 6/16 x 14 3/16 x 10 4/16
Indoor Unit Net Dimensions (W x H x D) - mm	1280 x 360 x 260
Indoor Unit Gross Dimensions (W x H x D) - in	54 8/16 x 17 2/16 x 12 13/16
Indoor Unit Gross Dimensions (W x H x D) - mm	1385 x 435 x 325
Outdoor Unit Net Dimensions (W x H x D) - in	34 13/16 x 31 5/16 x 14 7/16
Outdoor Unit Net Dimensions (W x H x D) - mm	885 x 795 x 366
Outdoor Unit Gross Dimensions (W x H x D) - in	41 5/16 x 35 1/16 x 19 11/16
Outdoor Unit Gross Dimensions (W x H x D) - mm	1050x890x500
Indoor Unit - Net Weight - lbs (kg)	41 (18.5)
Outdoor Unit - Net Weight - lbs (kg)	141 (64)

**REFRIGERANT**

Refrigerant Type	410A
Refrigerant Weight - lb oz	5 lb 1 oz

**COMPRESSOR**

Compressor Type	Rotary
-----------------	--------

**WARRANTY**

 7 Year Compressor, 5 Year Parts out-of-the-box<sup>1</sup>

Note: Specifications are based on the following conditions:  
 Cooling: Indoor temperature of 80°F (26.7°C) DB/67°F (19.4°C) WB, and outdoor temperature of 95°F (35°C) DB/75°F (23.9°C) WB.  
 Heating: Indoor temperature of 70°F (21.1°C) DB/60°F (15.6°C) WB, and outdoor temperature of 47°F (8.3°C) DB/43°F (6.1°C) WB.  
 Pipe length: 25ft. (7.5m), Height difference: 0ft. (0m) (Outdoor unit – indoor unit).

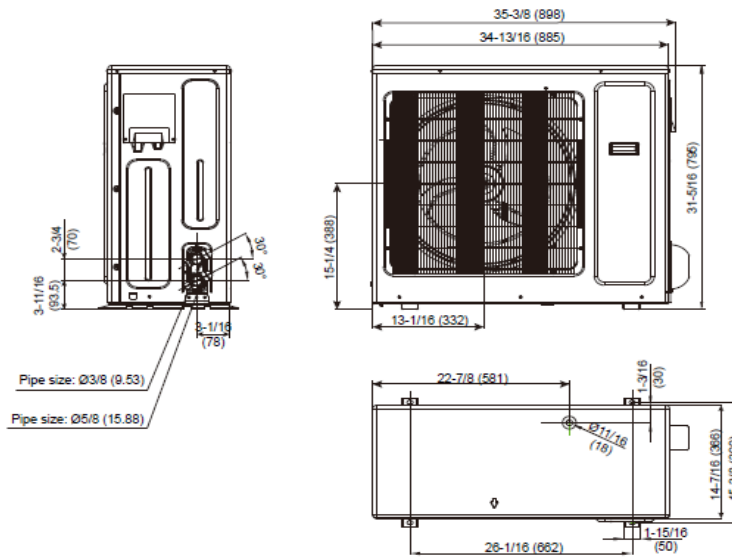
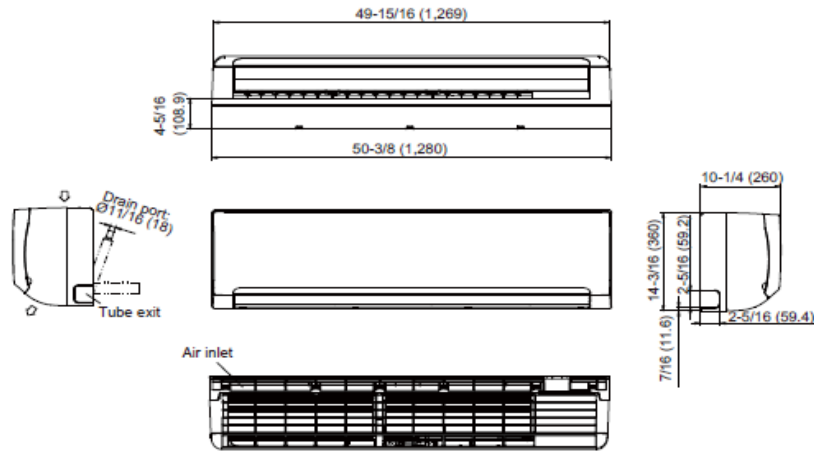



## Submittal S36SZA2

36,000 BTU Wall Mount  
Heat Pump Ductless System

### DIMENSIONS

Unit: In. (mm)



 and WESTINGHOUSE are trademarks of Westinghouse Electric Corporation. Used under license by FUJITSU GENERAL AMERICA, INC. All Rights Reserved.