

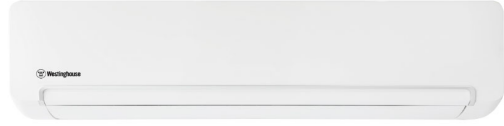
Submittal P18SZA2

18,000 BTU Wall Mount Heat Pump Ductless System

Job Name _____ Location _____ Engineer _____ Submitted To _____ Submitted By _____ Reference _____	Date _____ Approval _____ Construction _____ Unit No _____ Drawing No _____
---	--

FEATURES

- Heating down to -4°F (-20°C)
- Base Pan Heater
- Washable Filter
- Auto restart
- Quiet mode
- Min Heat 46°F
- °C & °F convertible
- 24 Hour Timer
- Horizontal Auto Swing Louver
- Compressor Pre-Heating



SYSTEM COMPONENTS	
Indoor Unit Model Number	WHP18WMA21S
Outdoor Unit Model Number	WHP18SZA21S
System model number	P18SZA2
ELECTRICAL	
Voltage/Phase/Frequency	208 / 230V, 1-Phase, 60Hz
Voltage Range - V	198 - 253
MCA - A	15
Max Circuit Breaker - A	20
Max. Current (Cooling) - A	12
Max. Current (Heating) - A	12
Rated Current (Cooling) - A	6.3
Rated Current (Heating) - A	7.2
Rated Input Power (Cooling) - W	1384.615385
Min - Max Input Power (Cooling) - W	345 - 2760
Rated Input Power (Heating) - W	1637.818082
Min - Max Input Power (Heating) - W	345 - 2760
CAPACITIES	
Cooling Capacity - BTUh	18000
Cooling Capacity Range - BTUh	6500-19500
Heating Capacity - BTUh	17000
Heating Capacity Range - BTUh	6500-20000
FAN SPEEDS	
Indoor Airflow Rate (S/H/M/L/Q) - CFM	647/589/483/459/383
Indoor Airflow Rate (S/H/M/L/Q) - m³/h	1100/1000/820/780/650
Outdoor Airflow Rate (H) - CFM	1666
Outdoor Airflow Rate (H) - m³/h	2800
SOUND PRESSURE	
Sound Pressure Level Indoor (S/H/M/L/Q) - dB(A)	48/45/41/37/34
Sound Pressure Level Outdoor (H) - dB(A)	55
LINESET REQUIREMENTS	
Connection Pipe Diameter - Liquid (Flare) - in (mm)	1/4 (6.35)
Connection Pipe Diameter - Gas (Flare) - in (mm)	1/2 (12.7)
Minimum Lineset Length - ft (m)	10 (3)
Maximum Lineset Length (Total) - ft (m)	66 (20)
Max Height Difference (IDU higher than ODU) - ft (m)	33 (10)
Max Height Difference (ODU higher than IDU) - ft (m)	16 (5)
Pre-charged Lineset Length - ft (m)	25 (7.5)

ETL: 3088177

OUTDOOR TEMPERATURE OPERATING RANGE	
Cooling - °F (°C)	5°F to 115°F (-15°C to 46°C)
Heating - °F (°C)	-4°F to 75°F (-20°C to 24°C)
INDOOR TEMPERATURE SETTING RANGE	
Cooling - °F (°C)	61°F to 86°F (16°C to 30°C)
Heating - °F (°C)	61°F to 86°F (16°C to 30°C)
Mositure Removal pints/h (L/h)	3.2 (1.5)
EFFICIENCIES	
SEER	23.3 SEER2
EER	13 EER2
HSPF	11.6 HSPF2
COP - BTU	11.6 COP2 - BTU
COP - W/W	3.4 COP2 - W/W
Energy Star	Yes
NET DIMENSIONS & WEIGHTS	
Indoor Unit Net Dimensions (W x H x D) - in	44 8/16 x 12 6/16 x 9 5/16
Indoor Unit Net Dimensions (W x H x D) - mm	1130 x 315 x 237
Indoor Unit Gross Dimensions (W x H x D) - in	47 10/16 x 15 6/16 x 12 7/16
Indoor Unit Gross Dimensions (W x H x D) - mm	1210 x 390 x 316
Outdoor Unit Net Dimensions (W x H x D) - in	33 14/16 x 25 9/16 x 12 3/16
Outdoor Unit Net Dimensions (W x H x D) - mm	860 x 650 x 310
Outdoor Unit Gross Dimensions (W x H x D) - in	39 3/16 x 28 6/16 x 16 9/16
Outdoor Unit Gross Dimensions (W x H x D) - mm	995 x 720 x 420
Indoor Unit - Net Weight - lbs (kg)	32 (14.5)
Outdoor Unit - Net Weight - lbs (kg)	99 (45)
REFRIGERANT	
Refrigerant Type	410A
Refrigerant Weight - lb oz	3 lb 7 oz
Oil type	VG74 (POE)
COMPRESSOR	
Compressor Type	Rotary
WARRANTY	


7 Year Compressor, 5 Year Parts Warranty

Note: Specifications are based on the following conditions:
 Cooling: Indoor temperature of 80°F (26.7°C) DB/67°F (19.4°C) WB, and outdoor temperature of 95°F (35°C) DB/75°F (23.9°C) WB.
 Heating: Indoor temperature of 70°F (21.1°C) DB/60°F (15.6°C) WB, and outdoor temperature of 47°F (8.3°C) DB/43°F (6.1°C) WB.
 Pipe length: 25ft. (7.5m), Height difference: 0ft. (0m) (Outdoor unit - Indoor unit).

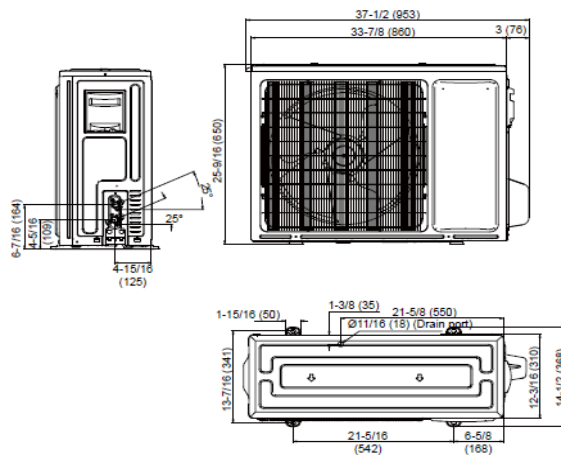
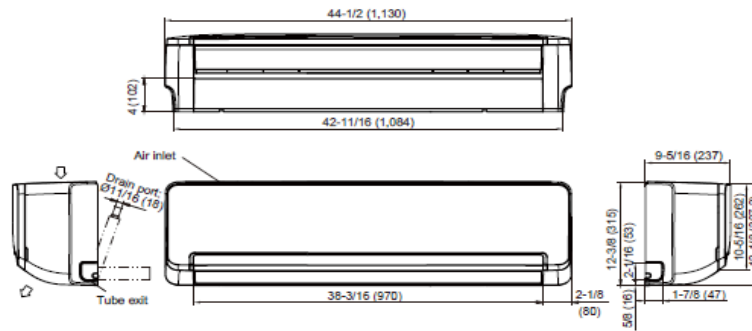


Submittal P18SZA2

18,000 BTU Wall Mount
Heat Pump Ductless System

DIMENSIONS

Unit: In. (mm)



 and WESTINGHOUSE are trademarks of Westinghouse Electric Corporation. All Rights Reserved.