

Submittal WHU24CTA21S

24,000 BTU Cassette

Job Name _____
Location _____
Engineer _____
Submitted To _____
Submitted By _____
Reference _____

Date _____
Approval _____
Construction _____
Unit No _____
Drawing No _____

FEATURES

- Wireless Remote Controller Included
- Smart Mode
- Super Mode
- Auto restart
- Quiet mode
- °C & °F convertible
- 24 Hour Timer
- 8°C Heat Mode
- Washable Filter
- Automatic Swing Louver
- Cold Air Prevention


SYSTEM COMPONENTS

Indoor Unit Model Number	WHU24CTA21S
Nominal Capacity - BTU/h	24000

ELECTRICAL

Voltage/Phase/Frequency	208 / 230V, 1-Phase, 60Hz
Voltage Range - V	176 - 253
Rated Current (Cooling) - A	8.6
Rated Current (Heating) - A	8.7
Rated Input Power (Cooling) - W	1920
Min - Max Input Power (Cooling) - W	760 - 2260
Rated Input Power (Heating) - W	1950
Min - Max Input Power (Heating) - W	780 - 2400

CAPACITIES

Cooling Capacity - BTU/h	24000
Cooling Capacity Range - BTU/h	8600 - 25200
Heating Capacity - BTU/h	26000
Heating Capacity Range - BTU/h	7600 - 28400

FAN SPEEDS

Indoor Airflow Rate (H/M/L) - CFM	647/530/400
Indoor Airflow Rate (H/M/L) - m ³ /h	1100/900/680

SOUND PRESSURE

Sound Pressure Level Indoor (H/M/L) - dB(A)	44/40/38 - Cooling & Heating
---	------------------------------

INDOOR TEMPERATURE SETTING RANGE

Cooling, - °F (°C)	61°F to 86°F (16°C to 30°C)
Heating, - °F (°C)	61°F to 86°F (16°C to 30°C)
Mositure Removal pints/h (L/h)	3.2 (1.5)

LINESET REQUIREMENTS

Connection Pipe Diameter - Liquid (Flare) - in (mm)	Ø3/8 (Ø9.52)
Connection Pipe Diameter - Gas (Flare) - in (mm)	Ø5/8 (Ø15.88)

NET DIMENSIONS & WEIGHTS

Indoor Unit Net Dimensions (W x H x D) - in	9 3/4 x 33 1/8 x 33 1/8
Indoor Unit Net Dimensions (W x H x D) - mm	248 x 840 x 840
Indoor Unit Gross Dimensions (W x H x D) - in	4 3/4 x 40 x 40 3/8
Indoor Unit Gross Dimensions (W x H x D) - mm	370 x 956 x 996
Indoor Unit - Net Weight - lbs (kg)	59.5 (27)
Indoor Unit - Gross Weight - lbs (kg)	79.5 (36)

ACCESSORIES

WWRCU	Wired Remote Controller
FJ-IR-WIFI-1NA	Intesis IR WIFI Module
BP101WA	Cielo Breez Plus
WH-AG4CT2	Cassette Grille

WARRANTY

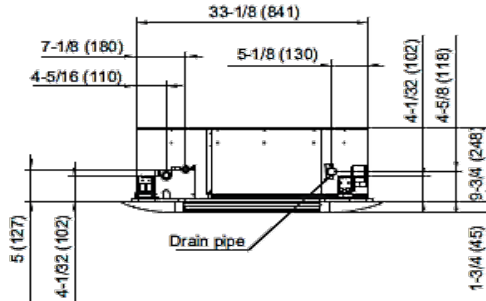
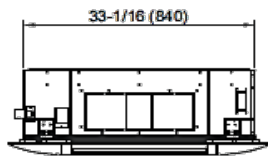
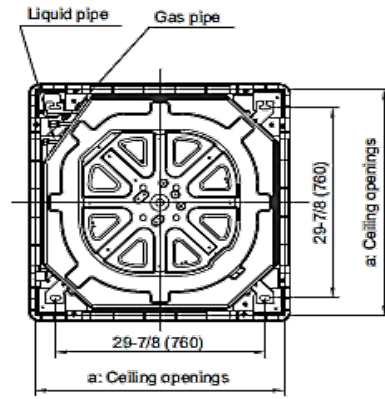
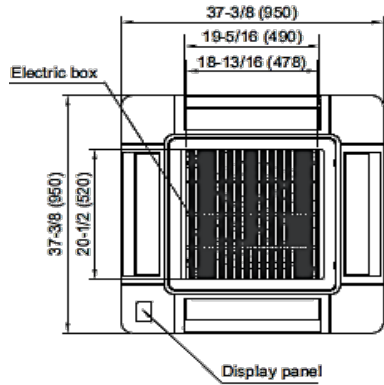

7 Year Compressor, 5 Year Parts Warranty



Note: Specifications are subject to change without notice. Specifications are based on the following conditions:
 Cooling: Indoor temperature of 80°F (26.7°C) DB/67°F (19.4°C) WB, and outdoor temperature of 95°F (35°C) DB/75°F (23.9°C) WB. Heating: Indoor temperature of 70°F (21.1°C) DB/60°F (15.6°C) WB, and outdoor temperature of 47°F (8.3°C) DB/43°F (6.1°C) WB. Pipe length: 25ft. (7.5m), Height difference: 0ft. (0m) (Outdoor unit – indoor unit).

DIMENSIONS

Unit: In. (mm)



 and WESTINGHOUSE are trademarks of Westinghouse Electric Corporation. All Rights Reserved.