

## Submittal WHU18DHA21S

### 18,000 BTU Horizontal Duct

**Job Name** \_\_\_\_\_  
**Location** \_\_\_\_\_  
**Engineer** \_\_\_\_\_  
**Submitted To** \_\_\_\_\_  
**Submitted By** \_\_\_\_\_  
**Reference** \_\_\_\_\_

**Date** \_\_\_\_\_  
**Approval** \_\_\_\_\_  
**Construction** \_\_\_\_\_  
**Unit No** \_\_\_\_\_  
**Drawing No** \_\_\_\_\_

**FEATURES**

- Wired Remote Controller Included
- Cool/Dry/Heat/Fan/Auto Modes
- Weekly & 24 Hour Timer
- Auto Restart
- Cold Air Prevention
- °C & °F convertible
- Optional IR Remote & Receiver


**SYSTEM COMPONENTS**

Indoor Unit Model Number WHU18DHA21S  
 Nominal Capacity - BTU/h 18000

**ELECTRICAL**

Voltage/Phase/Frequency 208 / 230V, 1-Phase, 60Hz  
 Voltage Range - V 198 - 253  
 Rated Current (Cooling) - A 7.6  
 Rated Current (Heating) - A 7.3  
 Rated Input Power (Cooling) - W 1670  
 Min - Max Input Power (Cooling) - W 278 - 1980  
 Rated Input Power (Heating) - W 1600  
 Min - Max Input Power (Heating) - W 381 - 2320

**CAPACITIES**

Cooling Capacity - BTU/h 18000  
 Cooling Capacity Range - BTU/h 4200 - 21000  
 Heating Capacity - BTU/h 17500  
 Heating Capacity Range - BTU/h 5600 - 24000

**FAN SPEEDS**

Indoor Airflow Rate (H/M/L) - CFM 529/441/371  
 Indoor Airflow Rate (H/M/L) - m<sup>3</sup>/h 900/750/371  
 Static Pressure Range - WG(Pa) 0 to 0.2 (0 to 50)

**SOUND PRESSURE**

Sound Pressure Level Indoor (H/M/L) - dB(A) 38/37/36- Cooling & Heating

**INDOOR TEMPERATURE SETTING RANGE**

Cooling. - °F (°C) 61°F to 86°F (16°C to 30°C)  
 Heating. - °F (°C) 61°F to 86°F (16°C to 30°C)  
 Moisture Removal pints/h (L/h) 3.2 (1.5)

**LINESET REQUIREMENTS**

Connection Pipe Diameter - Liquid (Flare) - in (mm) Ø1/4 (Ø6.35)  
 Connection Pipe Diameter - Gas (Flare) - in (mm) Ø1/2 (Ø12.70)

**NET DIMENSIONS & WEIGHTS**

Indoor Unit Net Dimensions (W x H x D) - in	7-1/2 x 46-1/2 x 17-5/8
Indoor Unit Net Dimensions (W x H x D) - mm	190 x 1,180 x 447
Indoor Unit Gross Dimensions (W x H x D) - in	11-1/4 x 53-1/8 x 22-1/4
Indoor Unit Gross Dimensions (W x H x D) - mm	285 x 1,350 x 565
Indoor Unit - Net Weight - lbs (kg)	49.6 (22.5)
Indoor Unit - Gross Weight - lbs (kg)	57.3 (26)

**ACCESSORIES**

WH-AIRDH1	IR Receiver
4175260*	Wireless Remote Controller
WWRCU	Wired Remote Controller
FJ-IR-WIFI-1NA*	Intesis IR WiFi Module
BP101WA*	Cielo Breez Plus

\*Requires IR Receiver

**WARRANTY**

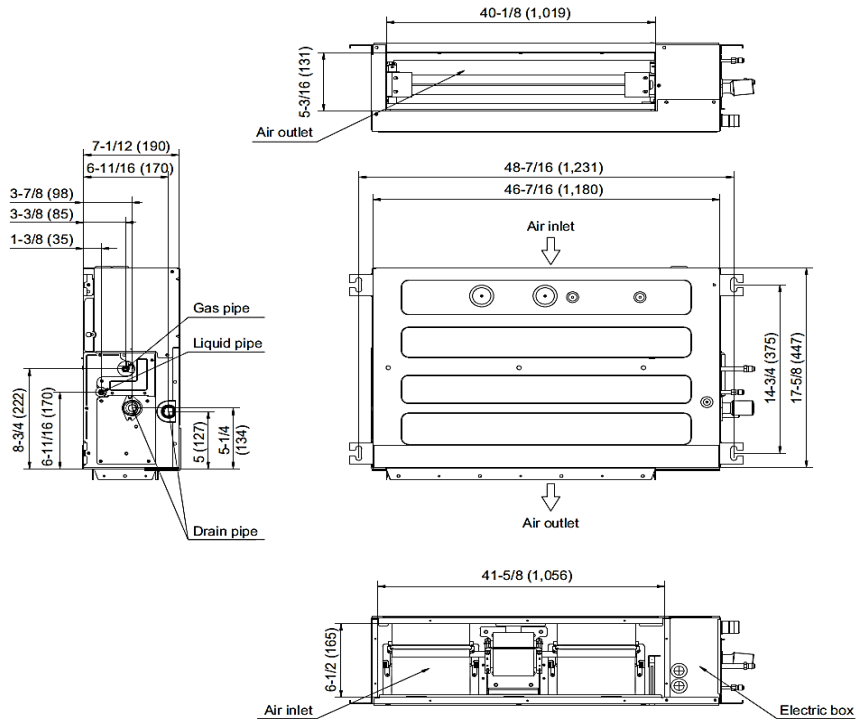

7 Year Compressor, 5 Year Parts Warranty



Note: Specifications are subject to change without notice. Specifications are based on the following conditions:  
 Cooling: Indoor temperature of 80°F (26.7°C) DB/67°F (19.4°C) WB, and outdoor temperature of 95°F (35°C) DB/75°F (23.9°C) WB. Heating: Indoor temperature of 70°F (21.1°C) DB/60°F (15.6°C) WB, and outdoor temperature of 47°F (8.3°C) DB/43°F (6.1°C) WB. Pipe length: 25ft. (7.5m), Height difference: 0ft. (0m) (Outdoor unit – indoor unit).

**DIMENSIONS**

Unit: In. (mm)



 and WESTINGHOUSE are trademarks of Westinghouse Electric Corporation. All Rights Reserved.