

Submittal WHU09CTA21S

9,000 BTU Cassette

Job Name _____
Location _____
Engineer _____
Submitted To _____
Submitted By _____
Reference _____

Date _____
Approval _____
Construction _____
Unit No _____
Drawing No _____

FEATURES

- Wireless Remote Controller Included
- Smart Mode
- Super Mode
- Auto restart
- Quiet mode
- °C & °F convertible
- 24 Hour Timer
- 8°C Heat Mode
- Washable Filter
- Automatic Swing Louver
- Cold Air Prevention



SYSTEM COMPONENTS

Indoor Unit Model Number	WHU09CTA21S
Nominal Capacity - BTUh	9000

ELECTRICAL

Voltage/Phase/Frequency	208 / 230V, 1-Phase, 60Hz
Voltage Range - V	198 - 253
Rated Current (Cooling) - A	3.6
Rated Current (Heating) - A	3.5
Rated Input Power (Cooling) - W	700
Min - Max Input Power (Cooling) - W	332 - 941
Rated Input Power (Heating) - W	709
Min - Max Input Power (Heating) - W	221 - 1022

CAPACITIES

Cooling Capacity - BTUh	9000
Cooling Capacity Range - BTUh	4850 - 11600
Heating Capacity - BTUh	10000
Heating Capacity Range - BTUh	4340 - 12280

FAN SPEEDS

Indoor Airflow Rate (H/M/L) - CFM	309/274/232
Indoor Airflow Rate (H/M/L) - m ³ /h	520/460/390

SOUND PRESSURE

Sound Pressure Level Indoor (H/M/L) - dB(A)	38/34/31- Cooling & Heating
---	-----------------------------

INDOOR TEMPERATURE SETTING RANGE

Cooling, - °F (°C)	61°F to 86°F (16°C to 30°C)
Heating, - °F (°C)	61°F to 86°F (16°C to 30°C)
Mositure Removal pints/h (L/h)	1.7 (0.8)

LINESET REQUIREMENTS

Connection Pipe Diameter - Liquid (Flare) - in (mm)	Ø1/4 (Ø6.35)
Connection Pipe Diameter - Gas (Flare) - in (mm)	Ø3/8 (Ø9.52)

NET DIMENSIONS & WEIGHTS

Indoor Unit Net Dimensions (W x H x D) - in	8 1/2 x 22 1/2 x 22 1/2
Indoor Unit Net Dimensions (W x H x D) - mm	215 x 570 x 570
Indoor Unit Gross Dimensions (W x H x D) - in	4 1/2 x 26 3/4 x 27 1/8
Indoor Unit Gross Dimensions (W x H x D) - mm	292 x 668 x 730
Indoor Unit - Net Weight - lbs (kg)	32 (14.5)
Indoor Unit - Gross Weight - lbs (kg)	38.5 (17.5)

ACCESSORIES

WWRCU	Wired Remote Controller
FJ-IR-WIFI-1NA	Intesis IR WIFI Module
BP101WA	Cielo Breez Plus
WH-AG4CT1	Cassette Grille

WARRANTY



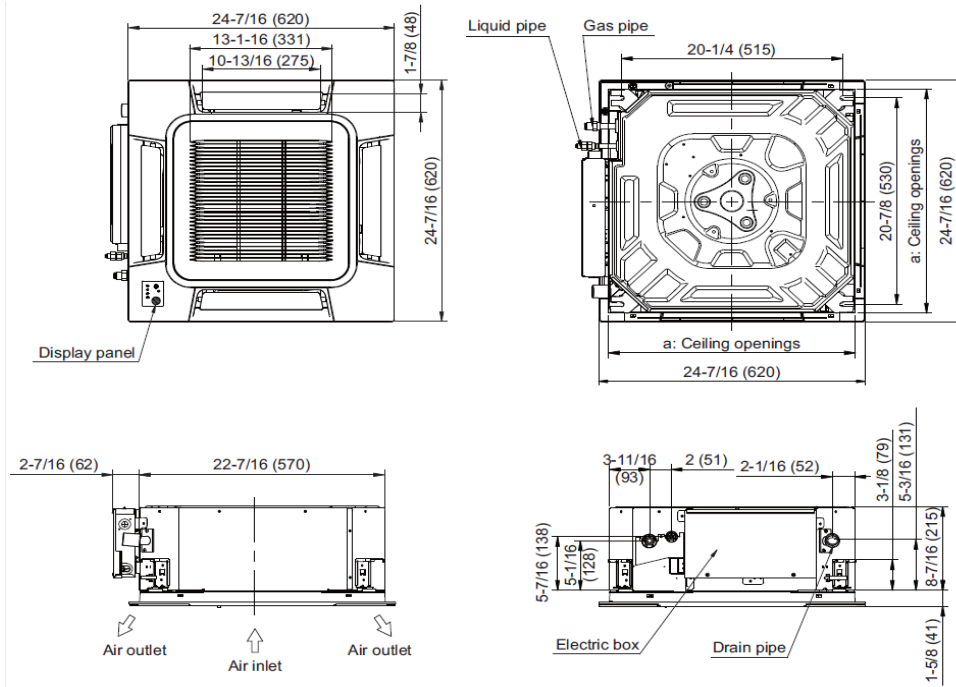
7 Year Compressor, 5 Year Parts Warranty



Note: Specifications are subject to change without notice. Specifications are based on the following conditions:
 Cooling: Indoor temperature of 80°F (26.7°C) DB/67°F (19.4°C) WB, and outdoor temperature of 95°F (35°C) DB/75°F (23.9°C) WB. Heating: Indoor temperature of 70°F (21.1°C) DB/60°F (15.6°C) WB, and outdoor temperature of 47°F (8.3°C) DB/43°F (6.1°C) WB. Pipe length: 25ft. (7.5m), Height difference: 0ft. (0m) (Outdoor unit – indoor unit).

DIMENSIONS

Unit: In. (mm)



 and WESTINGHOUSE are trademarks of Westinghouse Electric Corporation. All Rights Reserved.