

Submittal P09SZA2

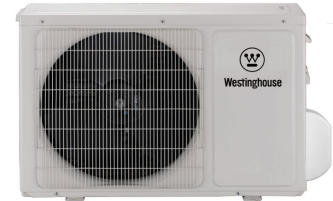
9,000 BTU Wall Mount Heat Pump Ductless System

Job Name _____
Location _____
Engineer _____
Submitted To _____
Submitted By _____
Reference _____

Date _____
Approval _____
Construction _____
Unit No _____
Drawing No _____

FEATURES

- Heating down to -4°F (-20°C)
- Base Pan Heater
- Washable Filter
- Auto restart
- Quiet mode
- Min Heat 46°F
- °C & °F convertible
- 24 Hour Timer
- Horizontal Auto Swing Louver
- Compressor Pre-Heating



SYSTEM COMPONENTS

Indoor Unit Model Number	WHP09WMA21S
Outdoor Unit Model Number	WHP09SZA21S
System model number	P09SZA2

ELECTRICAL

Voltage/Phase/Frequency	208 / 230V, 1-Phase, 60Hz
Voltage Range - V	198 - 253
MCA - A	10
Max Circuit Breaker - A	15
Max. Current (Cooling) - A	6.5
Max. Current (Heating) - A	6.5
Rated Current (Cooling) - A	2.9
Rated Current (Heating) - A	2.9
Rated Input Power (Cooling) - W	655
Min - Max Input Power (Cooling) - W	230 - 1495
Rated Input Power (Heating) - W	720
Min - Max Input Power (Heating) - W	230 - 1495

CAPACITIES

Cooling Capacity - BTUh	9000
Cooling Capacity Range - BTUh	3600-10000
Heating Capacity - BTUh	9500
Heating Capacity Range - BTUh	3600-10500

FAN SPEEDS

Indoor Airflow Rate (S/H/M/L/Q) - CFM	383/341/294/247/224
Indoor Airflow Rate (S/H/M/L/Q) - m³/h	650/580/500/420/380
Outdoor Airflow Rate (H) - CFM	952
Outdoor Airflow Rate (H) - m³/h	1600

SOUND PRESSURE

Sound Pressure Level Indoor (S/H/M/L/Q) - dB(A)	42/39/32/29/26
Sound Pressure Level Outdoor (H) - dB(A)	53

LINESET REQUIREMENTS

Connection Pipe Diameter - Liquid (Flare) - in (mm)	1/4 (6.35)
Connection Pipe Diameter - Gas (Flare) - in (mm)	3/8 (9.52)
Minimum Lineset Length - ft (m)	10 (3)
Maximum Lineset Length (Total) - ft (m)	66 (20)
Max Height Difference (IDU higher than ODU) - ft (m)	33 (10)
Max Height Difference (ODU higher than IDU) - ft (m)	16 (5)
Pre-charged Lineset Length - ft (m)	25 (7.5)

ETL: 3088177

OUTDOOR TEMPERATURE OPERATING RANGE

Cooling - °F (°C)	5°F to 115°F (-15°C to 46°C)
Heating - °F (°C)	-4°F to 75°F (-20°C to 24°C)

INDOOR TEMPERATURE SETTING RANGE

Cooling - °F (°C)	61°F to 86°F (16°C to 30°C)
Heating - °F (°C)	61°F to 86°F (16°C to 30°C)

Mositure Removal pints/h (L/h) 1.9 (0.9)

EFFICIENCIES

SEER	22.5
EER	13.7
HSPF	10.7
COP - BTU	13.19
COP - W/W	3.87
Energy Star	Yes

NET DIMENSIONS & WEIGHTS

Indoor Unit Net Dimensions (W x H x D) - in	33 7/16 x 10 10/16 x 8 7/16
Indoor Unit Net Dimensions (W x H x D) - mm	850 x 270 x 215
Indoor Unit Gross Dimensions (W x H x D) - in	37 x 13 3/16 x 10 7/16
Indoor Unit Gross Dimensions (W x H x D) - mm	940 x 335 x 265
Outdoor Unit Net Dimensions (W x H x D) - in	28 2/16 x 19 x 9 7/16
Outdoor Unit Net Dimensions (W x H x D) - mm	715 x 482 x 240
Outdoor Unit Gross Dimensions (W x H x D) - in	32 11/16 x 20 14/16 x 13 6/16
Outdoor Unit Gross Dimensions (W x H x D) - mm	830 x 530 x 340
Indoor Unit - Net Weight - lbs (kg)	20 (9)
Outdoor Unit - Net Weight - lbs (kg)	60 (27)

REFRIGERANT

Refrigerant Type	410A
Refrigerant Weight - lb oz	2 lb 2 oz
Oil type	68HES-H

COMPRESSOR

Compressor Type	Rotary
-----------------	--------

WARRANTY



7 Year Compressor, 5 Year Parts out-of-the-box *

Note: Specifications are based on the following conditions:

Cooling: Indoor temperature of 80°F (26.7°C) DB/67°F (19.4°C) WB, and outdoor temperature of 95°F (35°C) DB/75°F (23.9°C) WB.
 Heating: Indoor temperature of 70°F (21.1°C) DB/60°F (15.6°C) WB, and outdoor temperature of 47°F (8.3°C) DB/43°F (6.1°C) WB.
 Pipe length: 25ft. (7.5m), Height difference: 0ft. (0m) (Outdoor unit - Indoor unit).

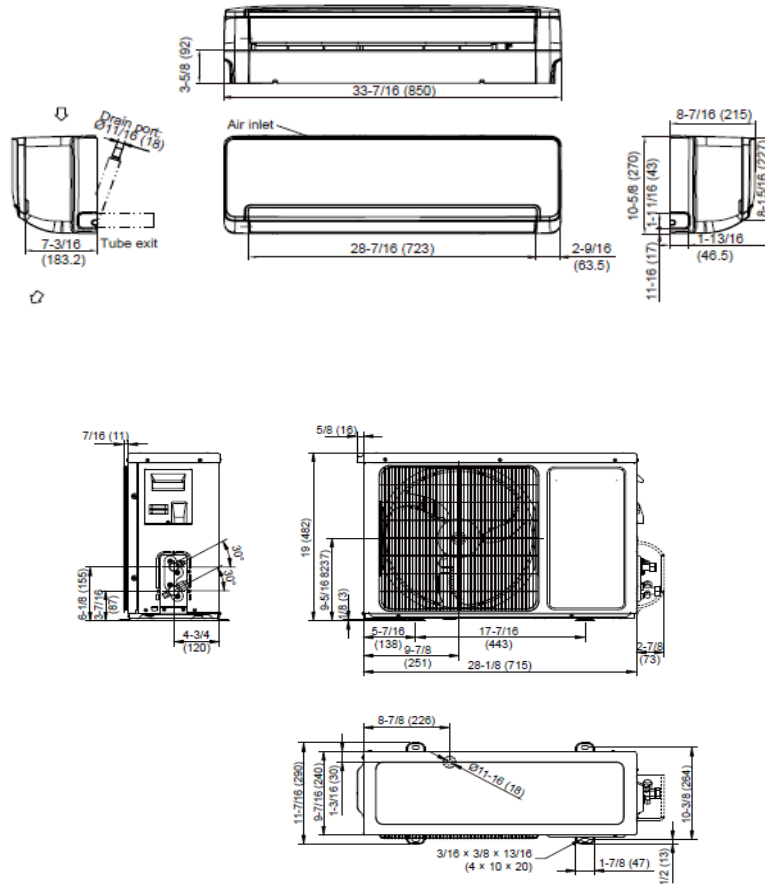



Submittal P09SZA2

9,000 BTU Wall Mount
Heat Pump Ductless System

DIMENSIONS

Unit: In. (mm)



 and WESTINGHOUSE are trademarks of Westinghouse Electric Corporation. Used under license by FUJITSU GENERAL AMERICA, INC. All Rights Reserved.