

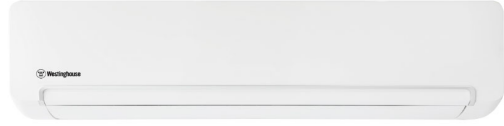
Submittal P18SZA2

18,000 BTU Wall Mount Heat Pump Ductless System

Job Name _____	Date _____
Location _____	Approval _____
Engineer _____	Construction _____
Submitted To _____	Unit No _____
Submitted By _____	Drawing No _____
Reference _____	

FEATURES

- Heating down to -4°F (-20°C)
- Base Pan Heater
- Washable Filter
- Auto restart
- Quiet mode
- Min Heat 46°F
- °C & °F convertible
- 24 Hour Timer
- Horizontal Auto Swing Louver
- Compressor Pre-Heating


SYSTEM COMPONENTS

Indoor Unit Model Number	WHP18WMA21S
Outdoor Unit Model Number	WHP18SZA21S
System model number	P18SZA2

ELECTRICAL

Voltage/Phase/Frequency	208 / 230V, 1-Phase, 60Hz
Voltage Range - V	198 - 253
MCA - A	15
Max Circuit Breaker - A	20
Max. Current (Cooling) - A	12
Max. Current (Heating) - A	12
Rated Current (Cooling) - A	6.3
Rated Current (Heating) - A	7.2
Rated Input Power (Cooling) - W	1384.615385
Min - Max Input Power (Cooling) - W	345 - 2760
Rated Input Power (Heating) - W	1637.818082
Min - Max Input Power (Heating) - W	345 - 2760

CAPACITIES

Cooling Capacity - BTUh	18000
Cooling Capacity Range - BTUh	6500-19500
Heating Capacity - BTUh	19000
Heating Capacity Range - BTUh	6500-20000

FAN SPEEDS

Indoor Airflow Rate (S/H/M/L/Q) - CFM	647/589/483/459/383
Indoor Airflow Rate (S/H/M/L/Q) - m³/h	1100/1000/820/780/650
Outdoor Airflow Rate (H) - CFM	1666
Outdoor Airflow Rate (H) - m³/h	2800

SOUND PRESSURE

Sound Pressure Level Indoor (S/H/M/L/Q) - dB(A)	48/45/41/37/34
Sound Pressure Level Outdoor (H) - dB(A)	55

LINESET REQUIREMENTS

Connection Pipe Diameter - Liquid (Flare) - in (mm)	1/4 (6.35)
Connection Pipe Diameter - Gas (Flare) - in (mm)	1/2 (12.7)
Minimum Lineset Length - ft (m)	10 (3)
Maximum Lineset Length (Total) - ft (m)	66 (20)
Max Height Difference (IDU higher than ODU) - ft (m)	33 (10)
Max Height Difference (ODU higher than IDU) - ft (m)	16 (5)
Pre-charged Lineset Length - ft (m)	25 (7.5)

ETL: 3088177
OUTDOOR TEMPERATURE OPERATING RANGE

Cooling - °F (°C)	5°F to 115°F (-15°C to 46°C)
Heating - °F (°C)	-4°F to 75°F (-20°C to 24°C)

INDOOR TEMPERATURE SETTING RANGE

Cooling - °F (°C)	61°F to 86°F (16°C to 30°C)
Heating - °F (°C)	61°F to 86°F (16°C to 30°C)

 Moisture Removal pints/h (L/h) 3.2 (1.5)
EFFICIENCIES

SEER	23.3
EER	13
HSPF	11.6
COP - BTU	11.6
COP - W/W	3.4
Energy Star	Yes

NET DIMENSIONS & WEIGHTS

Indoor Unit Net Dimensions (W x H x D) - in	44 8/16 x 12 6/16 x 9 5/16
Indoor Unit Net Dimensions (W x H x D) - mm	1130 x 315 x 237
Indoor Unit Gross Dimensions (W x H x D) - in	47 10/16 x 15 6/16 x 12 7/16
Indoor Unit Gross Dimensions (W x H x D) - mm	1210 x 390 x 316
Outdoor Unit Net Dimensions (W x H x D) - in	33 14/16 x 25 9/16 x 12 3/16
Outdoor Unit Net Dimensions (W x H x D) - mm	860 x 650 x 310
Outdoor Unit Gross Dimensions (W x H x D) - in	39 3/16 x 28 6/16 x 16 9/16
Outdoor Unit Gross Dimensions (W x H x D) - mm	995 x 720 x 420
Indoor Unit - Net Weight - lbs (kg)	32 (14.5)
Outdoor Unit - Net Weight - lbs (kg)	99 (45)

REFRIGERANT

Refrigerant Type	410A
Refrigerant Weight - lb oz	3 lb 7 oz
Oil type	VG74 (POE)

COMPRESSOR

Compressor Type	Rotary
-----------------	--------

WARRANTY


7 Year Compressor, 5 Year Parts out-of-the-box*

Note: Specifications are based on the following conditions:
 Cooling: Indoor temperature of 80°F (26.7°C) DB/67°F (19.4°C) WB, and outdoor temperature of 95°F (35°C) DB/75°F (23.9°C) WB.
 Heating: Indoor temperature of 70°F (21.1°C) DB/60°F (15.6°C) WB, and outdoor temperature of 47°F (8.3°C) DB/43°F (6.1°C) WB.
 Pipe length: 25ft. (7.5m), Height difference: 0ft. (0m) (Outdoor unit - Indoor unit).

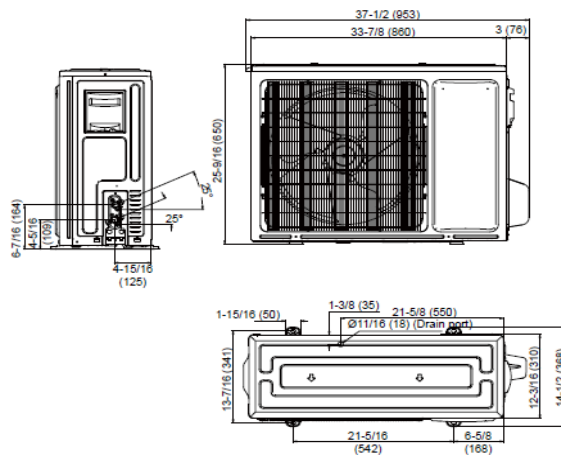
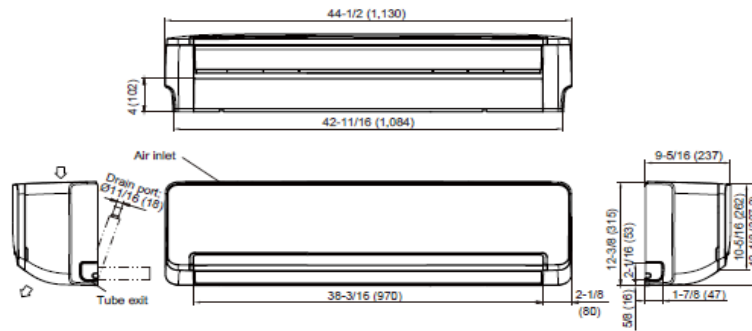



Submittal P18SZA2

18,000 BTU Wall Mount
Heat Pump Ductless System

DIMENSIONS

Unit: In. (mm)



 and WESTINGHOUSE are trademarks of Westinghouse Electric Corporation. Used under license by FUJITSU GENERAL AMERICA, INC. All Rights Reserved.