

Submittal S24SZA2

24,000 BTU Wall Mount Heat Pump Ductless System

Job Name _____
Location _____
Engineer _____
Submitted To _____
Submitted By _____
Reference _____

Date _____
Approval _____
Construction _____
Unit No _____
Drawing No _____

FEATURES

- Heating down to -4°F (-20°C)
- Base Pan Heater
- Washable Filter
- Auto restart
- Quiet mode
- Min Heat 46°F
- °C & °F convertible
- 24 Hour Timer
- Horizontal Auto Swing Louver
- Compressor Pre-Heating



SYSTEM COMPONENTS

Indoor Unit Model Number	WHS24WMA21S
Outdoor Unit Model Number	WHS24SZA21S
System model number	S24SZA2

ELECTRICAL

Voltage/Phase/Frequency	208 / 230V, 1-Phase, 60Hz
Voltage Range - V	198 - 253
MCA - A	20
Max Circuit Breaker - A	30
Max. Current (Cooling) - A	13
Max. Current (Heating) - A	13
Rated Current (Cooling) - A	10.4805492
Rated Current (Heating) - A	10.43478261
Rated Input Power (Cooling) - W	2286
Min - Max Input Power (Cooling) - W	460 - 2990
Rated Input Power (Heating) - W	2271
Min - Max Input Power (Heating) - W	460 - 2990

CAPACITIES

Cooling Capacity - BTUh	24000
Cooling Capacity Range - BTUh	8000-26500
Heating Capacity - BTUh	24400
Heating Capacity Range - BTUh	8000-26500

FAN SPEEDS

Indoor Airflow Rate (S/H/M/L/Q) - CFM	636/577/483/447/383
Indoor Airflow Rate (S/H/M/L/Q) - m³/h	1080/980/820/760/650
Outdoor Airflow Rate (H) - CFM	1666
Outdoor Airflow Rate (H) - m³/h	2800

SOUND PRESSURE

Sound Pressure Level Indoor (S/H/M/L/Q) - dB(A)	48/45/40/38/36
Sound Pressure Level Outdoor (H) - dB(A)	58

LINESET REQUIREMENTS

Connection Pipe Diameter - Liquid (Flare) - in (mm)	3/8 (9.52)
Connection Pipe Diameter - Gas (Flare) - in (mm)	5/8 (15.88)
Minimum Lineset Length - ft (m)	10 (3)
Maximum Lineset Length (Total) - ft (m)	66 (20)
Max Height Difference (IDU higher than ODU) - ft (m)	33 (10)
Max Height Difference (ODU higher than IDU) - ft (m)	16 (5)
Pre-charged Lineset Length - ft (m)	25 (7.5)

ETL: 3088177

OUTDOOR TEMPERATURE OPERATING RANGE

Cooling - °F (°C)	32°F to 115°F (0°C to 46°C)
Heating - °F (°C)	-4°F to 75°F (-20°C to 24°C)

INDOOR TEMPERATURE SETTING RANGE

Cooling - °F (°C)	61°F to 86°F (16°C to 30°C)
Heating - °F (°C)	61°F to 86°F (16°C to 30°C)

Mositure Removal pints/h (L/h)

	5.1 (2.4)
--	-----------

EFFICIENCIES

SEER	17.6
EER	10.5
HSPF	9.8
COP - BTU	10.74
COP - W/W	3.15
Energy Star	No

NET DIMENSIONS & WEIGHTS

Indoor Unit Net Dimensions (W x H x D) - in	42 11/16 x 12 6/16 x 9 5/16
Indoor Unit Net Dimensions (W x H x D) - mm	1085 x 315 x 236
Indoor Unit Gross Dimensions (W x H x D) - in	46 1/16 x 15 6/16 x 12 6/16
Indoor Unit Gross Dimensions (W x H x D) - mm	1170 x 390 x 315
Outdoor Unit Net Dimensions (W x H x D) - in	33 14/16 x 25 9/16 x 12 3/16
Outdoor Unit Net Dimensions (W x H x D) - mm	860 x 650 x 310
Outdoor Unit Gross Dimensions (W x H x D) - in	39 3/16 x 28 12/16 x 17 8/16
Outdoor Unit Gross Dimensions (W x H x D) - mm	995x730x445
Indoor Unit - Net Weight - lbs (kg)	31 (14)
Outdoor Unit - Net Weight - lbs (kg)	110 (50)

REFRIGERANT

Refrigerant Type	410A
Refrigerant Weight - lb oz	3 lb 9 oz
Oil type	VG74 (POE)

COMPRESSOR

Compressor Type	Rotary
-----------------	--------

WARRANTY



7 Year Compressor, 5 Year Parts out-of-the-box *

Note: Specifications are based on the following conditions:

Cooling: Indoor temperature of 80°F (26.7°C) DB/67°F (19.4°C) WB, and outdoor temperature of 95°F (35°C) DB/75°F (23.9°C) WB.
 Heating: Indoor temperature of 70°F (21.1°C) DB/60°F (15.6°C) WB, and outdoor temperature of 47°F (8.3°C) DB/43°F (6.1°C) WB.
 Pipe length: 25ft. (7.5m), Height difference: 0ft. (0m) (Outdoor unit - Indoor unit).

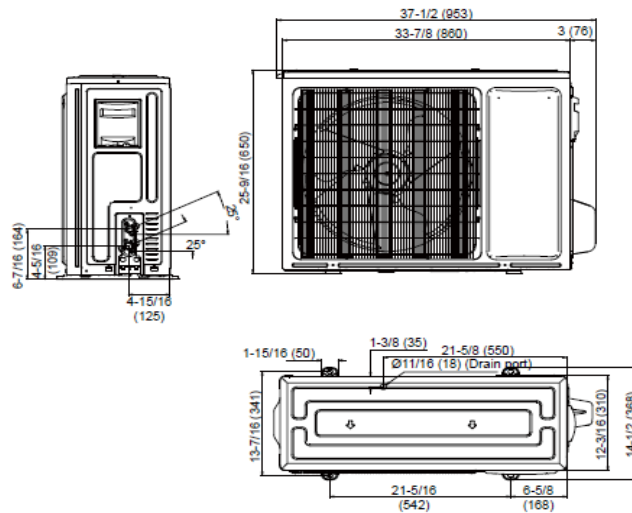
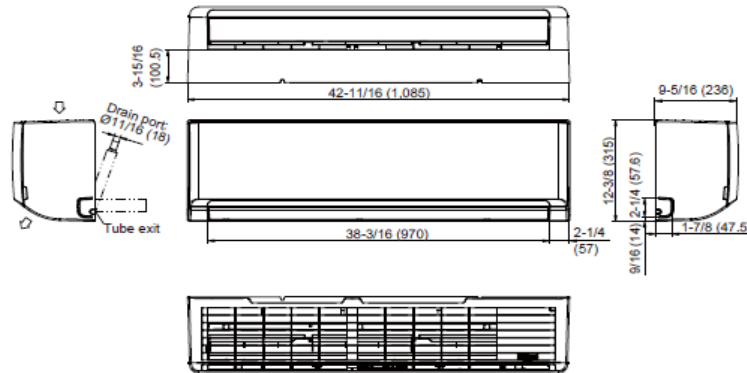



Submittal S24SZA2

24,000 BTU Wall Mount
Heat Pump Ductless System

DIMENSIONS

Unit: In. (mm)



 and WESTINGHOUSE are trademarks of Westinghouse Electric Corporation. Used under license by FUJITSU GENERAL AMERICA, INC. All Rights Reserved.