

## Submittal WHP07WMA21S

**7,000 BTU Wall Mount**

<b>Job Name</b> _____ <b>Location</b> _____ <b>Engineer</b> _____ <b>Submitted To</b> _____ <b>Submitted By</b> _____ <b>Reference</b> _____	<b>Date</b> _____ <b>Approval</b> _____ <b>Construction</b> _____ <b>Unit No</b> _____ <b>Drawing No</b> _____
---	--

**FEATURES**

- Auto restart
- Quiet mode
- °C & °F convertible
- 24 Hour Timer
- Horizontal Auto Swing Louver


**SYSTEM COMPONENTS**

Indoor Unit Model Number	WHP07WMA21S
Nominal Capacity	7,000

**INDOOR TEMPERATURE SETTING RANGE**

Cooling. - °F (°C)	61°F to 86°F (16°C to 30°C)
Heating. - °F (°C)	61°F to 86°F (16°C to 30°C)

**LINESET REQUIREMENTS**

Connection Pipe Diameter - Liquid (Flare) - in (mm)	1/4 (6.35)
Connection Pipe Diameter - Gas (Flare) - in (mm)	3/8 (9.52)

**WARRANTY**

**NET DIMENSIONS & WEIGHTS**

Indoor Unit Net Dimensions (W x H x D) - in	33 7/16 x 10 10/16 x 8 7/16
Indoor Unit Net Dimensions (W x H x D). - mm	850 x 270 x 215
Indoor Unit Gross Dimensions (W x H x D) - in	37 x 13 3/16 x 10 7/16
Indoor Unit Gross Dimensions (W x H x D). - mm	940 x 335 x 265
Indoor Unit - Net Weight - lbs (kg)	20 (9)
Indoor Unit - Gross Weight - lbs (kg)	24 (11)

**SOUND PRESSURE**

Sound Pressure Level Indoor (S/H/M/L/Q) - dB(A)	42/39/32/29/26
---	----------------

**FAN DATA**

Indoor Airflow Rate (S/H/M/L/Q) - CFM	383/341/294/247/224
Indoor Airflow Rate (S/H/M/L/Q). - m <sup>3</sup> /h	650/580/500/420/380

**ETL: 3088177**

Note: Specifications are based on the following conditions:  
 Cooling: Indoor temperature of 80°F (26.7°C) DB/67°F (19.4°C) WB, and outdoor temperature of 95°F (35°C) DB/75°F (23.9°C) WB.  
 Heating: Indoor temperature of 70°F (21.1°C) DB/60°F (15.6°C) WB, and outdoor temperature of 47°F (8.3°C) DB/43°F (6.1°C) WB.  
 Pipe length: 25ft. (7.5m), Height difference: 0ft. (0m) (Outdoor unit – indoor unit).

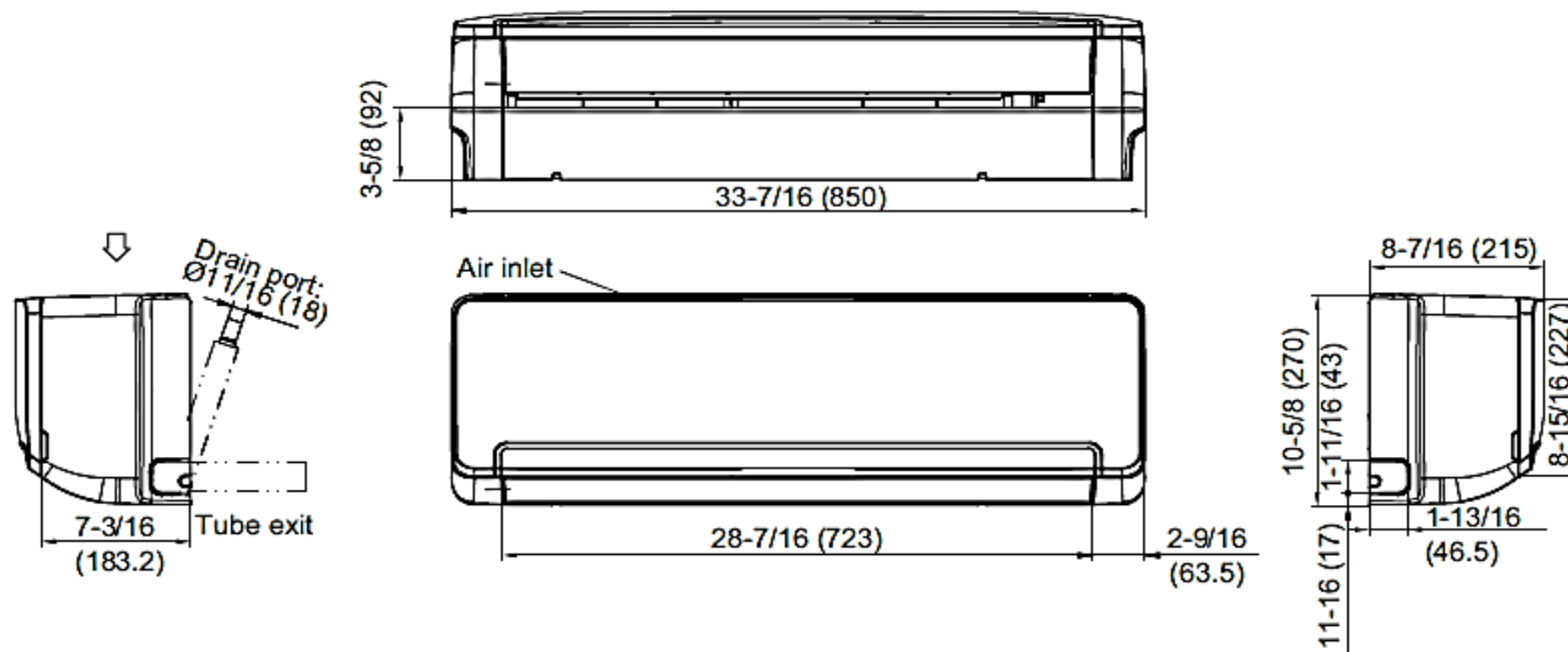



## Submittal WHP07WMA21S

7,000 BTU Wall Mount

### DIMENSIONS

Unit: In. (mm)



 and WESTINGHOUSE are trademarks of Westinghouse Electric Corporation. Used under license by FUJITSU GENERAL AMERICA, INC. All Rights Reserved.