

Submittal WHU12CTA21S

12,000 BTU Cassette

Job Name _____	Date _____
Location _____	Approval _____
Engineer _____	Construction _____
Submitted To _____	Unit No _____
Submitted By _____	Drawing No _____
Reference _____	

FEATURES

- Wireless Remote Controller Included
- Smart Mode
- Super Mode
- Auto restart
- Quiet mode
- °C & °F convertible
- 24 Hour Timer
- 8°C Heat Mode
- Washable Filter
- Automatic Swing Louver
- Cold Air Prevention


SYSTEM COMPONENTS

Indoor Unit Model Number	WHU12CTA21S
Nominal Capacity - BTU/h	12000

ELECTRICAL

Voltage/Phase/Frequency	208 / 230V, 1-Phase, 60Hz
Voltage Range - V	198 - 253
Rated Current (Cooling) - A	4.3
Rated Current (Heating) - A	4.1
Rated Input Power (Cooling) - W	960
Min - Max Input Power (Cooling) - W	388 - 1319
Rated Input Power (Heating) - W	926
Min - Max Input Power (Heating) - W	457 - 1611

CAPACITIES

Cooling Capacity - BTU/h	12000
Cooling Capacity Range - BTU/h	5800 - 13,100
Heating Capacity - BTU/h	12000
Heating Capacity Range - BTU/h	4400 - 14400

FAN SPEEDS

Indoor Airflow Rate (H/M/L) - CFM	324/294/235
Indoor Airflow Rate (H/M/L) - m ³ /h	550/500/400

SOUND PRESSURE

Sound Pressure Level Indoor (H/M/L) - dB(A)	42/37/33- Cooling & Heating
---	-----------------------------

INDOOR TEMPERATURE SETTING RANGE

Cooling, - °F (°C)	61°F to 86°F (16°C to 30°C)
Heating, - °F (°C)	61°F to 86°F (16°C to 30°C)
Mositure Removal pints/h (L/h)	2.3 (1.1)

LINESET REQUIREMENTS

Connection Pipe Diameter - Liquid (Flare) - in (mm)	Ø1/4 (Ø6.35)
Connection Pipe Diameter - Gas (Flare) - in (mm)	Ø3/8 (Ø9.52)

NET DIMENSIONS & WEIGHTS

Indoor Unit Net Dimensions (W x H x D) - in	8 1/2 x 22 1/2 x 22 1/2
Indoor Unit Net Dimensions (W x H x D) - mm	215 x 570 x 570
Indoor Unit Gross Dimensions (W x H x D) - in	4 1/2 x 26 3/4 x 27 1/8
Indoor Unit Gross Dimensions (W x H x D) - mm	292 x 668 x 730
Indoor Unit - Net Weight - lbs (kg)	34 (15.5)
Indoor Unit - Gross Weight - lbs (kg)	40.5 (18.5)

ACCESSORIES

WWRCU	Wired Remote Controller
FJ-IR-WIFI-1NA	Intesis IR WIFI Module
BP101WA	Cielo Breez Plus
WH-AG4CT1	Cassette Grille

WARRANTY

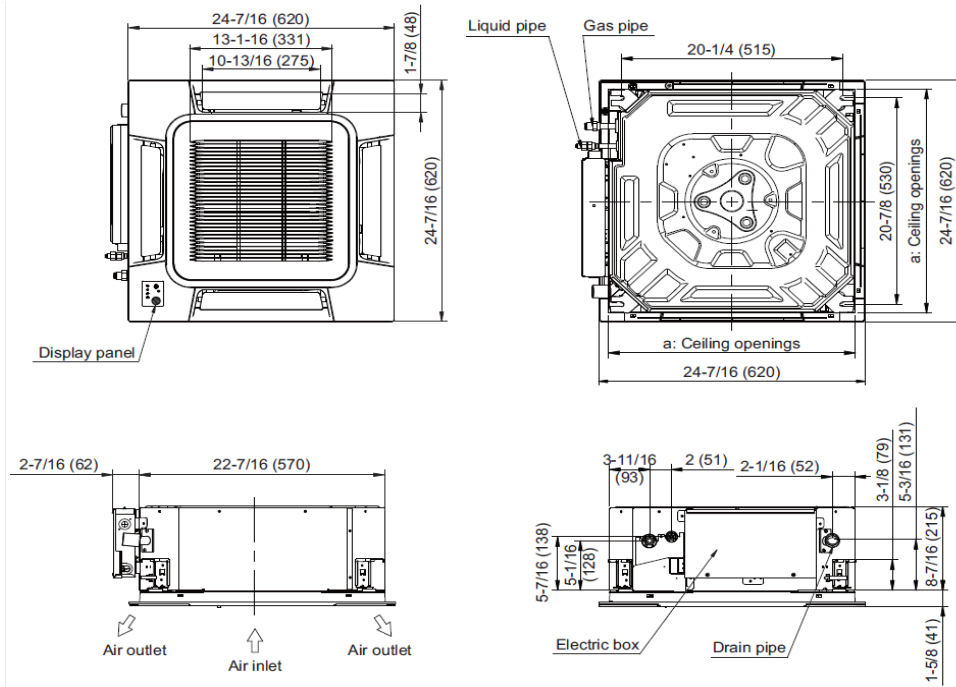

7 Year Compressor, 5 Year Parts Warranty



Note: Specifications are subject to change without notice. Specifications are based on the following conditions:
 Cooling: Indoor temperature of 80°F (26.7°C) DB/67°F (19.4°C) WB, and outdoor temperature of 95°F (35°C) DB/75°F (23.9°C) WB. Heating: Indoor temperature of 70°F (21.1°C) DB/60°F (15.6°C) WB, and outdoor temperature of 47°F (8.3°C) DB/43°F (6.1°C) WB. Pipe length: 25ft. (7.5m), Height difference: 0ft. (0m) (Outdoor unit – indoor unit).

DIMENSIONS

Unit: In. (mm)



 and WESTINGHOUSE are trademarks of Westinghouse Electric Corporation. All Rights Reserved.