

## Submittal S18SZA2

### 18,000 BTU Wall Mount Heat Pump Ductless System

**Job Name** \_\_\_\_\_  
**Location** \_\_\_\_\_  
**Engineer** \_\_\_\_\_  
**Submitted To** \_\_\_\_\_  
**Submitted By** \_\_\_\_\_  
**Reference** \_\_\_\_\_

**Date** \_\_\_\_\_  
**Approval** \_\_\_\_\_  
**Construction** \_\_\_\_\_  
**Unit No** \_\_\_\_\_  
**Drawing No** \_\_\_\_\_

#### FEATURES

- Heating down to -4°F (-20°C)
- Base Pan Heater
- Washable Filter
- Auto restart
- Quiet mode
- Min Heat 46°F
- °C & °F convertible
- 24 Hour Timer
- Horizontal Auto Swing Louver
- Compressor Pre-Heating



#### SYSTEM COMPONENTS

Indoor Unit Model Number	WHS18WMA21S
Outdoor Unit Model Number	WHS18SZA21S
System model number	S18SZA2

#### ELECTRICAL

Voltage/Phase/Frequency	208 / 230V, 1-Phase, 60Hz
Voltage Range - V	198 - 253
MCA - A	15
Max Circuit Breaker - A	20
Max. Current (Cooling) - A	12
Max. Current (Heating) - A	12
Rated Current (Cooling) - A	7.4
Rated Current (Heating) - A	9
Rated Input Power (Cooling) - W	1651
Min - Max Input Power (Cooling) - W	414 - 2760
Rated Input Power (Heating) - W	2000
Min - Max Input Power (Heating) - W	414 - 2760

#### CAPACITIES

Cooling Capacity - BTUh	18000
Cooling Capacity Range - BTUh	6500-19500
Heating Capacity - BTUh	20000
Heating Capacity Range - BTUh	6000-21500

#### FAN SPEEDS

Indoor Airflow Rate (S/H/M/L/Q) - CFM	592/530/441/388/341
Indoor Airflow Rate (S/H/M/L/Q) - m³/h	1005/901/750/660/580
Outdoor Airflow Rate (H) - CFM	1190
Outdoor Airflow Rate (H) - m³/h	2000

#### SOUND PRESSURE

Sound Pressure Level Indoor (S/H/M/L/Q) - dB(A)	45/43/40/38/35
Sound Pressure Level Outdoor (H) - dB(A)	56

#### LINESET REQUIREMENTS

Connection Pipe Diameter - Liquid (Flare) - in (mm)	1/4 (6.35)
Connection Pipe Diameter - Gas (Flare) - in (mm)	1/2 (12.7)
Minimum Lineset Length - ft (m)	10 (3)
Maximum Lineset Length (Total) - ft (m)	66 (20)
Max Height Difference (IDU higher than ODU) - ft (m)	33 (10)
Max Height Difference (ODU higher than IDU) - ft (m)	16 (5)
Pre-charged Lineset Length - ft (m)	25 (7.5)

ETL: 3088177

#### OUTDOOR TEMPERATURE OPERATING RANGE

Cooling - °F (°C)	32°F to 115°F (0°C to 46°C)
Heating - °F (°C)	-4°F to 75°F (-20°C to 24°C)

#### INDOOR TEMPERATURE SETTING RANGE

Cooling - °F (°C)	61°F to 86°F (16°C to 30°C)
Heating - °F (°C)	61°F to 86°F (16°C to 30°C)

Mositure Removal pints/h (L/h) 4.23 (2)

#### EFFICIENCIES

SEER	17.6	SEER2	17
EER	10.9	EER2	10.6
HSPF	10.1	HSPF2	8
COP - BTU	10	COP2 - BTU	10
COP - W/W	2.93	COP2 - W/W	2.93
Energy Star			No

#### NET DIMENSIONS & WEIGHTS

Indoor Unit Net Dimensions (W x H x D) - in	36 x 12 6/16 x 9 5/16
Indoor Unit Net Dimensions (W x H x D) - mm	915 x 315 x 236
Indoor Unit Gross Dimensions (W x H x D) - in	39 6/16 x 15 6/16 x 12 6/16
Indoor Unit Gross Dimensions (W x H x D) - mm	1000 x 390 x 315
Outdoor Unit Net Dimensions (W x H x D) - in	31 14/16 x 23 x 11
Outdoor Unit Net Dimensions (W x H x D) - mm	810 x 585 x 280
Outdoor Unit Gross Dimensions (W x H x D) - in	37 x 25 3/16 x 15 3/16
Outdoor Unit Gross Dimensions (W x H x D) - mm	940 x 640 x 385
Indoor Unit - Net Weight - lbs (kg)	28 (12.5)
Outdoor Unit - Net Weight - lbs (kg)	86 (39)

#### REFRIGERANT

Refrigerant Type	410A
Refrigerant Weight - lb oz	3 lb 1 oz
Oil type	VG74 (POE)

#### COMPRESSOR

Compressor Type	Rotary
-----------------	--------

#### WARRANTY



7 Year Compressor, 5 Year Parts Warranty

Note: Specifications are based on the following conditions:  
 Cooling: Indoor temperature of 80°F (26.7°C) DB/67°F (19.4°C) WB, and outdoor temperature of 95°F (35°C) DB/75°F (23.9°C) WB.  
 Heating: Indoor temperature of 70°F (21.1°C) DB/60°F (15.6°C) WB, and outdoor temperature of 47°F (8.3°C) DB/43°F (6.1°C) WB.  
 Pipe length: 25ft. (7.5m), Height difference: 0ft. (0m) (Outdoor unit - Indoor unit).

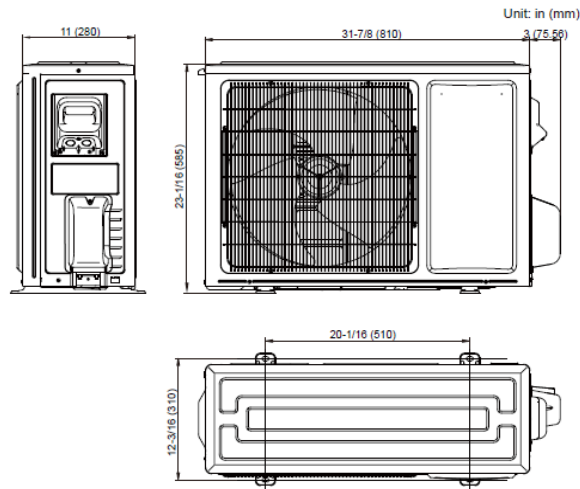
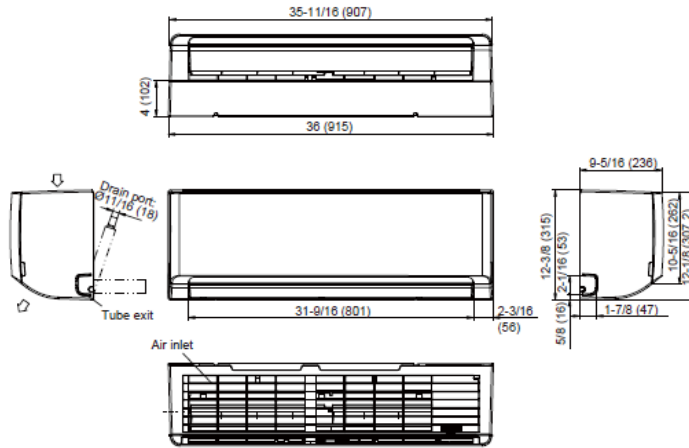


## Submittal S18SZA2

18,000 BTU Wall Mount  
Heat Pump Ductless System

### DIMENSIONS

Unit: In. (mm)



 and WESTINGHOUSE are trademarks of Westinghouse Electric Corporation. All Rights Reserved.