

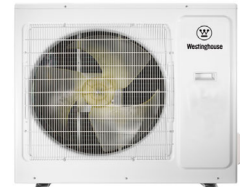
## Submission P12SZA2

### 12,000 BTU Wall Mount Heat Pump Ductless System

<b>Job Name</b> _____	<b>Date</b> _____
<b>Location</b> _____	<b>Approval</b> _____
<b>Engineer</b> _____	<b>Construction</b> _____
<b>Submitted To</b> _____	<b>Unit No</b> _____
<b>Submitted By</b> _____	<b>Drawing No</b> _____
<b>Reference</b> _____	

**FEATURES**

- Heating down to -4°F (-20°C)
- Base Pan Heater
- Washable Filter
- Auto restart
- Quiet mode
- Min Heat 46°F
- °C & °F convertible
- 24 Hour Timer
- Horizontal Auto Swing Louver
- Compressor Pre-Heating


**SYSTEM COMPONENTS**

Indoor Unit Model Number	WHP12WMA21S
Outdoor Unit Model Number	WHP12SZA21S
System model number	P12SZA2

**ELECTRICAL**

Voltage/Phase/Frequency	208 / 230V, 1-Phase, 60Hz
Voltage Range - V	198 - 253
MCA - A	10
Max Circuit Breaker - A	15
Max. Current (Cooling) - A	7
Max. Current (Heating) - A	7
Rated Current (Cooling) - A	4.3
Rated Current (Heating) - A	5
Rated Input Power (Cooling) - W	920
Min - Max Input Power (Cooling) - W	276 - 1610
Rated Input Power (Heating) - W	1110
Min - Max Input Power (Heating) - W	276 - 1610

**CAPACITIES**

Cooling Capacity - BTUh	12000
Cooling Capacity Range - BTUh	4000-13500
Heating Capacity - BTUh	12000
Heating Capacity Range - BTUh	4000-14000

**FAN SPEEDS**

Indoor Airflow Rate (S/H/M/L/Q) - CFM	394/365/312/253/224
Indoor Airflow Rate (S/H/M/L/Q) - m³/h	670/620/530/430/380
Outdoor Airflow Rate (H) - CFM	1190
Outdoor Airflow Rate (H) - m³/h	2000

**SOUND PRESSURE**

Sound Pressure Level Indoor (S/H/M/L/Q) - dB(A)	42/39/32/29/26
Sound Pressure Level Outdoor (H) - dB(A)	53

**LINESET REQUIREMENTS**

Connection Pipe Diameter - Liquid (Flare) - in (mm)	1/4 (6.35)
Connection Pipe Diameter - Gas (Flare) - in (mm)	3/8 (9.52)
Minimum Lineset Length - ft (m)	10 (3)
Maximum Lineset Length (Total) - ft (m)	66 (20)
Max Height Difference (IDU higher than ODU) - ft (m)	33 (10)
Max Height Difference (ODU higher than IDU) - ft (m)	16 (5)
Pre-charged Lineset Length - ft (m)	25 (7.5)

**ETL: 3088177**
**OUTDOOR TEMPERATURE OPERATING RANGE**

Cooling - °F (°C)	5°F to 115°F (-15°C to 46°C)
Heating - °F (°C)	-4°F to 75°F (-20°C to 24°C)

**INDOOR TEMPERATURE SETTING RANGE**

Cooling - °F (°C)	61°F to 86°F (16°C to 30°C)
Heating - °F (°C)	61°F to 86°F (16°C to 30°C)

Moisture Removal pints/h (L/h)	2.54 (1.2)
--------------------------------	------------

**EFFICIENCIES**

SEER	22	SEER2	21
EER	13	EER2	13
HSPF	10.5	HSPF2	9
COP - BTU	11.71	COP2 - BTU	11.26
COP - W/W	3.43	COP2 - W/W	3.3
Energy Star	Yes		

**NET DIMENSIONS & WEIGHTS**

Indoor Unit Net Dimensions (W x H x D) - in	33 7/16 x 10 10/16 x 8 7/16
Indoor Unit Net Dimensions (W x H x D) - mm	850 x 270 x 215
Indoor Unit Gross Dimensions (W x H x D) - in	37 x 13 3/16 x 10 7/16
Indoor Unit Gross Dimensions (W x H x D) - mm	940 x 335 x 265
Outdoor Unit Net Dimensions (W x H x D) - in	31 14/16 x 23 x 11
Outdoor Unit Net Dimensions (W x H x D) - mm	810 x 585 x 280
Outdoor Unit Gross Dimensions (W x H x D) - in	37 x 25 3/16 x 15 3/16
Outdoor Unit Gross Dimensions (W x H x D) - mm	940 x 640 x 385
Indoor Unit - Net Weight - lbs (kg)	20 (9)
Outdoor Unit - Net Weight - lbs (kg)	73 (33)

**REFRIGERANT**

Refrigerant Type	410A
Refrigerant Weight - lb oz	2 lb 9 oz
Oil type	VG74 (POE)

**COMPRESSOR**

Compressor Type	Rotary
-----------------	--------

**WARRANTY**

**7 Year Compressor, 5 Year Parts Warranty**

Note: Specifications are based on the following conditions:  
Cooling: Indoor temperature of 80°F (26.7°C) DB/67°F (19.4°C) WB, and outdoor temperature of 95°F (35°C) DB/75°F (23.9°C) WB.  
Heating: Indoor temperature of 70°F (21.1°C) DB/60°F (15.6°C) WB, and outdoor temperature of 47°F (8.3°C) DB/43°F (6.1°C) WB.  
Pipe length: 25ft. (7.5m), Height difference: 0ft. (0m) (Outdoor unit - Indoor unit).

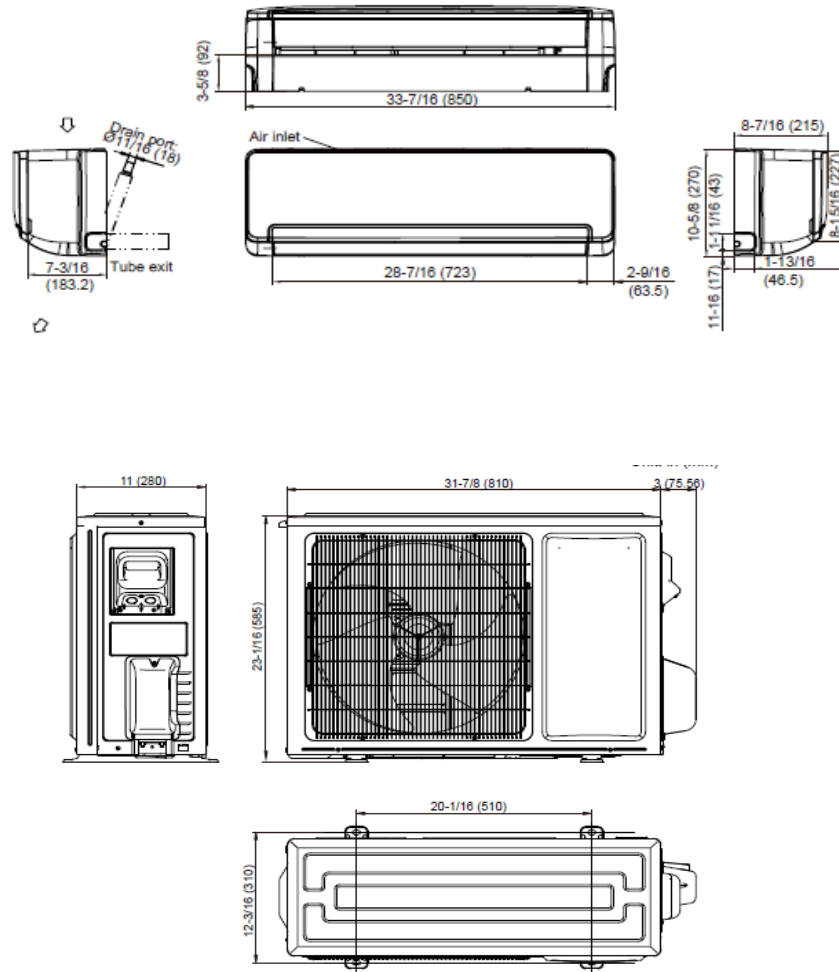


## Submittal P12SZA2

12,000 BTU Wall Mount  
Heat Pump Ductless System

### DIMENSIONS

Unit: In. (mm)



 and WESTINGHOUSE are trademarks of Westinghouse Electric Corporation. All Rights Reserved.