

Submittal Z09SZA2

9000 BTU Wall Mounted - Inverter Heat Pump

Job Name _____
Location _____
Engineer _____
Submitted To _____
Submitted By _____
Reference _____

Date _____
Approval _____
Construction _____
Unit No _____
Drawing No _____

FEATURES

- Wireless Remote Controller Included
- Smart Mode
- Super Mode
- Auto restart
- Quiet mode
- °C & °F convertible
- 24 Hour Timer
- 8°C Heat Mode


SYSTEM COMPONENTS

Indoor Unit Model Number	WHZ09WMA21S
Outdoor Unit Model Number	WHZ09SZA21S
System model number	Z09SZA2

ELECTRICAL

Voltage/Phase/Frequency	208 / 230V, 1-Phase, 60Hz
Voltage Range - V	187-253
MCA - A	6.5
Max Circuit Breaker - A	15
Max. Current (Cooling) - A	6.5
Max. Current (Heating) - A	6.5
Rated Current (Cooling) - A	2.3
Rated Current (Heating) - A	3.4
Rated Input Power (Cooling) - W	560
Min - Max Input Power (Cooling) - W	100 - 1060
Rated Input Power (Heating) - W	770
Min - Max Input Power (Heating) - W	130 - 1220

CAPACITIES

Cooling Capacity - BTUh	9000
Cooling Capacity Range - BTUh	3600 - 10000
Heating Capacity - BTUh	10000
Heating Capacity Range - BTUh	3600 - 10500

FAN SPEEDS

Indoor Airflow Rate (S/H/M/L/Q) - CFM	394/365/294/235/224
Indoor Airflow Rate (S/H/M/L/Q) - m³/h	670/620/500/400/380
Outdoor Airflow Rate (H) - CFM	1177
Outdoor Airflow Rate (H) - m³/h	2000

SOUND PRESSURE

Sound Pressure Level Indoor (S/H/M/L/Q) - dB(A)	42/39/34/31/28
Sound Pressure Level Outdoor (H) - dB(A)	55

LINESET REQUIREMENTS

Connection Pipe Diameter - Liquid (Flare) - in (mm)	Ø1/4 (Ø6.35)
Connection Pipe Diameter - Gas (Flare) - in (mm)	Ø3/8 (Ø9.52)
Minimum Lineset Length - ft (m)	10 (3.04)
Maximum Lineset Length (Total) - ft (m)	65 (20)
Max Height Difference (IDU higher than ODU) - ft (m)	32 (10)
Max Height Difference (ODU higher than IDU) - ft (m)	16 (5)
Pre-charged Lineset Length - ft (m)	24.6 (7.5)

WARRANTY


7 Year Compressor, 5 Year Parts Warranty

OUTDOOR TEMPERATURE OPERATING RANGE

Cooling - °F (°C)	-0.4 to 115 (-18 to 46)
Heating - °F (°C)	-13 to 75 (-25 to 24)

INDOOR TEMPERATURE SETTING RANGE

Cooling - °F (°C)	61°F to 86°F (16°C to 30°C)
Heating - °F (°C)	61°F to 86°F (16°C to 30°C)
Mositure Removal pints/h (L/h)	1.9 (0.9)

EFFICIENCIES

SEER	28	SEER2	27.5
EER	16.07	EER2	15.52
HSPF	12.5	HSPF2	10
COP - BTU/hW	13.64	COP2 - BTU	12.18
COP - W/W	4	COP2 - W/W	3.57
Energy Star			Yes

NET DIMENSIONS & WEIGHTS

Indoor Unit Net Dimensions (W x H x D) - in	10-5/8 x 33-7/16 x 8-7/16
Indoor Unit Net Dimensions (W x H x D) - mm	270 x 850 x 215
Indoor Unit Gross Dimensions (W x H x D) - in	13-3/16 x 37 x 10-7/16
Indoor Unit Gross Dimensions (W x H x D) - mm	335 x 940 x 265
Outdoor Unit Net Dimensions (W x H x D) - in	23-1/16 x 31-7/8 x 11
Outdoor Unit Net Dimensions (W x H x D) - mm	585 x 810 x 280
Outdoor Unit Gross Dimensions (W x H x D) - in	25-3/16 x 37 x 15-3/16
Outdoor Unit Gross Dimensions (W x H x D) - mm	640 x 940 x 385
Indoor Unit - Net Weight - lbs (kg)	20 (9)
Outdoor Unit - Net Weight - lbs (kg)	75 (34)

REFRIGERANT

Refrigerant Type	R410A
Refrigerant Weight - lb oz	2 lb 7 oz
Oil type	VG74 (POE)

COMPRESSOR

Compressor Type	Rotary
-----------------	--------

ACCESSORIES

VVWRCU	Wired Remote Controller
FJ-IR-WIFI-1NA	Intesis IR WIFI Module
BP101WA	Cielo Breez Plus



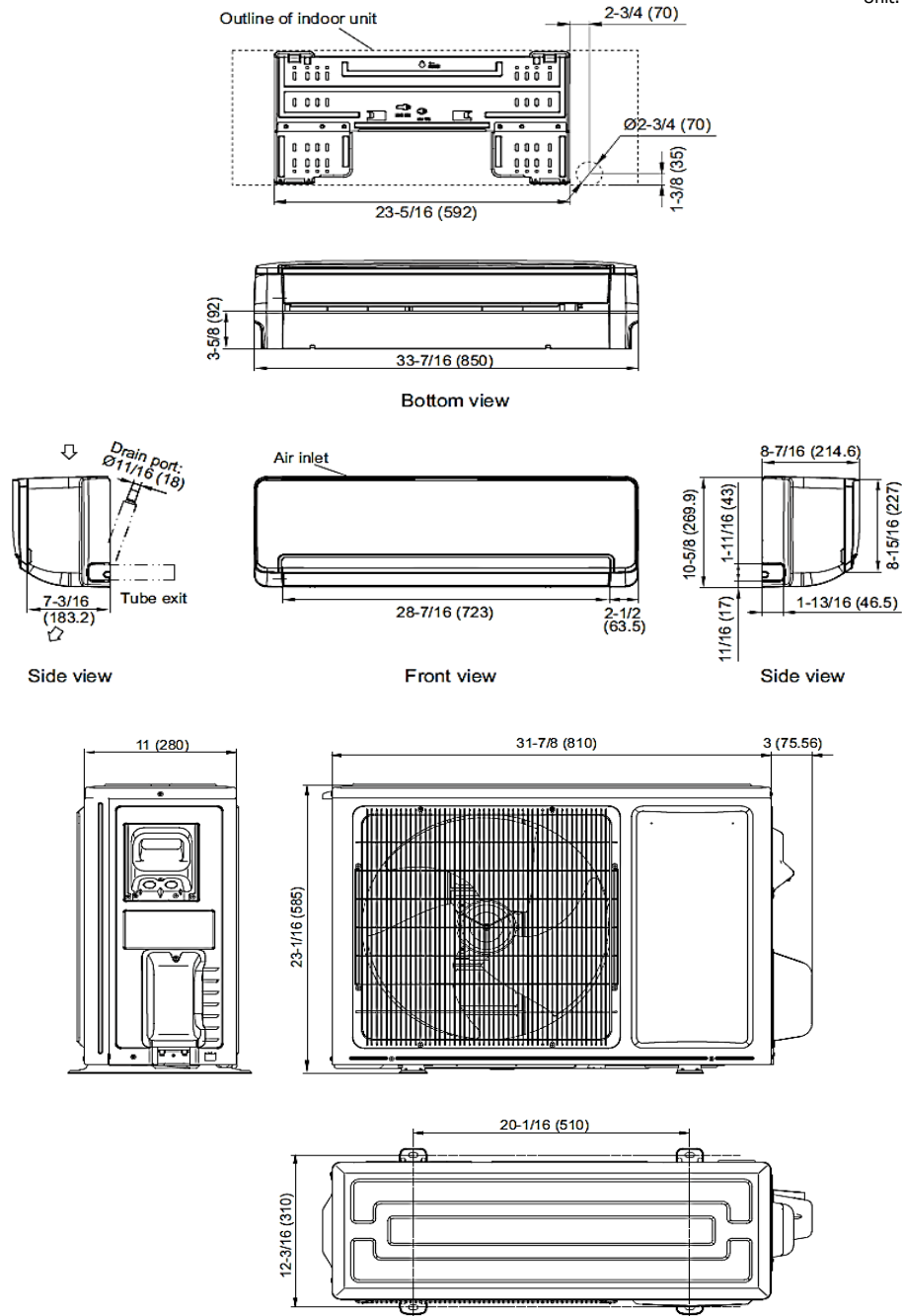
Note: Specifications are subject to change without notice. Specifications are based on the following conditions: Cooling: Indoor temperature of 80°F (26.7°C) DB/67°F (19.4°C) WB, and outdoor temperature of 95°F (35°C) DB/75°F (23.9°C) WB. Heating: Indoor temperature of 70°F (21.1°C) DB/60°F (15.6°C) WB, and outdoor temperature of 47°F (8.3°C) DB/43°F (6.1°C) WB. Pipe length: 25ft. (7.5m), Height difference: 0ft. (0m) (Outdoor unit – indoor unit).

Submittal Z09SZA2

9000 BTU Wall Mounted - Inverter Heat Pump

DIMENSIONS

Unit: In. (mm)



 and WESTINGHOUSE are trademarks of Westinghouse Electric Corporation. All Rights Reserved.